

DATASHEET

---

# KSS Radar Level Transmitter

KSS Data Sheet - DS - LM - 003 - 00



## Product Overview

---

The KSS-R800W is the ideal sensor for non-contact level measurement in simple applications. SK-R800W is a compact, loop-powered radar level transmitter for continuous measurement of liquids. As a price leader, it does not compromise on good value and provides effortless and intuitive operation. Easy and flexible mounting combined with high chemical compatibility and 20 meters (65ft) measuring range makes the SK-R800W suitable in multiple applications in all industries. Weighs only 750g. Meanwhile the sensors could be applied on some liquid tanks or containers.

- High frequency 80GHz.
- More Focus.
- Accuracy  $\pm 2$  mm(liquid)
- Measuring range up to 20 meters.
- Small emitting angle  $\pm 5^\circ$ .
- Thread connection, customized flange.

## Applications

---

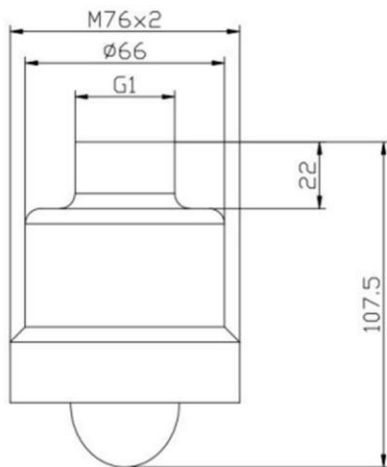
- Open channel
- Water & wastewater field,
- Rain basins
- Flume
- Dam level monitoring.
- River level
- Wet wells
- Inlet screens
- Pump stations
- Water towers
- Chemical storage



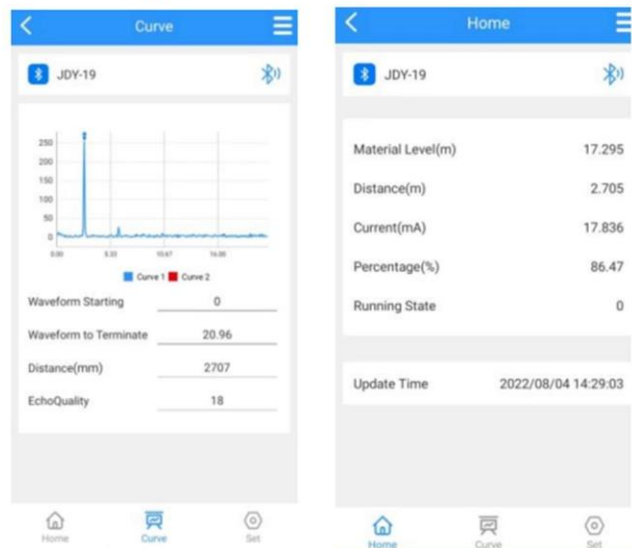
## Product Specifications

Model	: KSSR800W
Product Type	: FMCW Radar Level Transmitter
Application	: Open channel water measurement Standard liquid measurement
Frequency	: 77GHz-81GHz
Measurement Range Liquid	: 0.2m-20m (0.6 ft – 65 ft)
Measuring Range	: 350 mm to 6000 mm (Any other on request)
Accuracy	: ±2mm for liquid
Beam Angle	: ±5°
Material	: PP (polypropylene)
Process Connection	: Thread and flange (customized)
Process Temperature	: -20°C to 60°C (-20 to +140°F)
Process Pressure	: Normal atmospheric pressure
Signal output	: 4-20mA / RS485/ Bluetooth
Power	: Two-wire DC 24V (22V~30V)
Protection	: IP67
Size	: 76mm*107mm
Weight	: 750 gm

### Dimension



### Mobile App





## KSS-R800W Model Select

**KSS-R800W 80GHz Radar Level Transmitter (PP housing, no display)**

<b>Code</b>	<b>Medium Type</b>		
W	Water/liquid		
<b>Code</b>	<b>Measuring Range(m)</b>		
0.2~15	8、 15		
<b>Code</b>	<b>Connection</b>		
G	G Thread		
F	Flange		
<b>Code</b>	<b>Temperature</b>		
N	-20 - 60°C		
<b>Code</b>	<b>Cable entry</b>		
M	M20×1.5(F)		
<b>Code</b>	<b>Electronics</b>		
T	Two-wire 4...20mA		
M	Modbus		
B	Bluetooth wireless		

**KSS-R800W**

For inquiries contact us at:

## KhOT System And Solution

### Corporate Office:

Plot no.- Plot No.-75-A/3/5, General Block, MIDC, Telco-Bhosari Road, Behind Union Bank of India, Bhosari, Pune-4110026 India.

### Factory Address:

PAP- D-46, Talegaon Industrial Area Phase 2, Mawal, Mendhewadi, Pune-410507 India.

**Web.:** [www.khotsystems.in](http://www.khotsystems.in) | **E-mail:** [info@khotsystems.in](mailto:info@khotsystems.in)

